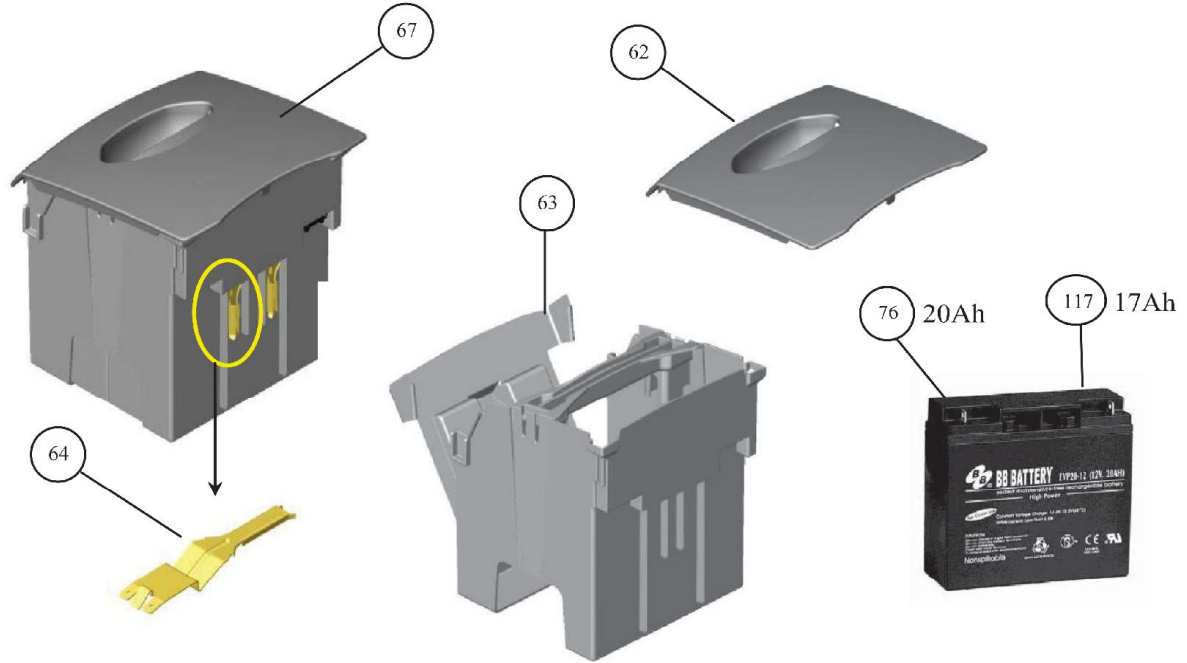


**Figure 1.13** Gear Wheels with shafts

## 1.2.6 Power Pack & Power Supply



www.robotgazonmaaiier.com

Figure 1.14 Power Pack

NOTE: for Power Pack wiring P/N's refer to 'Power Pack wiring diagram' (Section 1.5.2)



Figure 1.15 IP68 Switching Power Supply



Figure 1.16 External Charger with Adaptor



Figure 1.17 Indoor Power Supply 0.9A

Figure 1.18 Power Supply for Perimeter Switch

## 1.2.7 Fuses



Figure 1.19 Fuses

# Robomow®

## 1.2.8 Perimeter Switch



Figure 1.20 Perimeter Switch

## 1.2.9 Bumpers

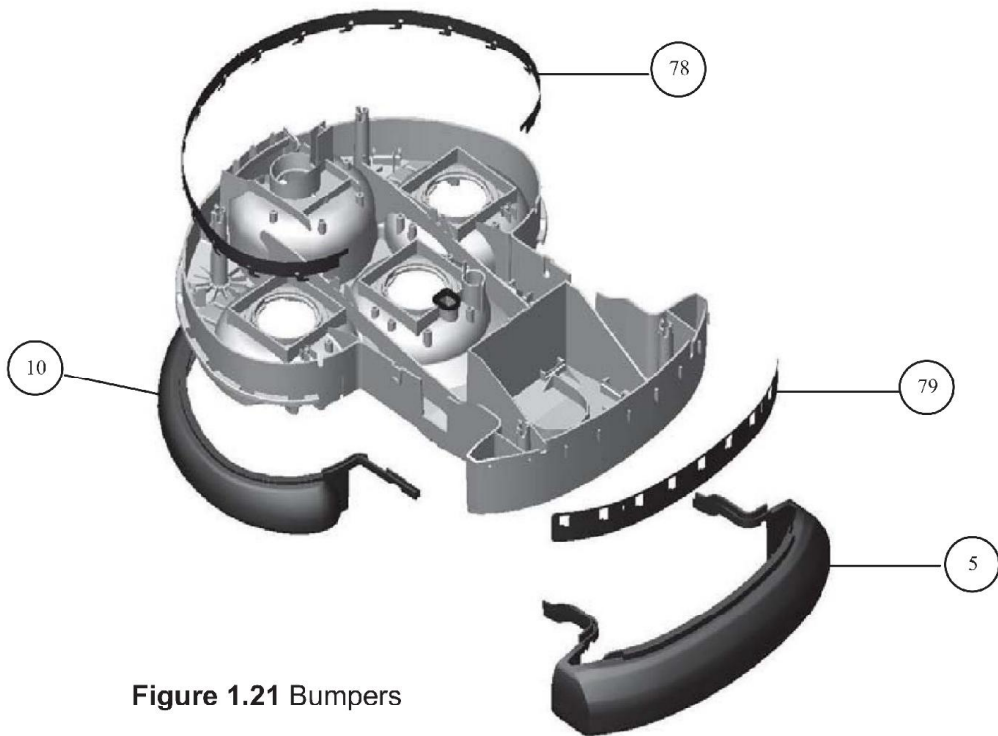


Figure 1.21 Bumpers

**Robomow®**

1.2.10 Front Wheel

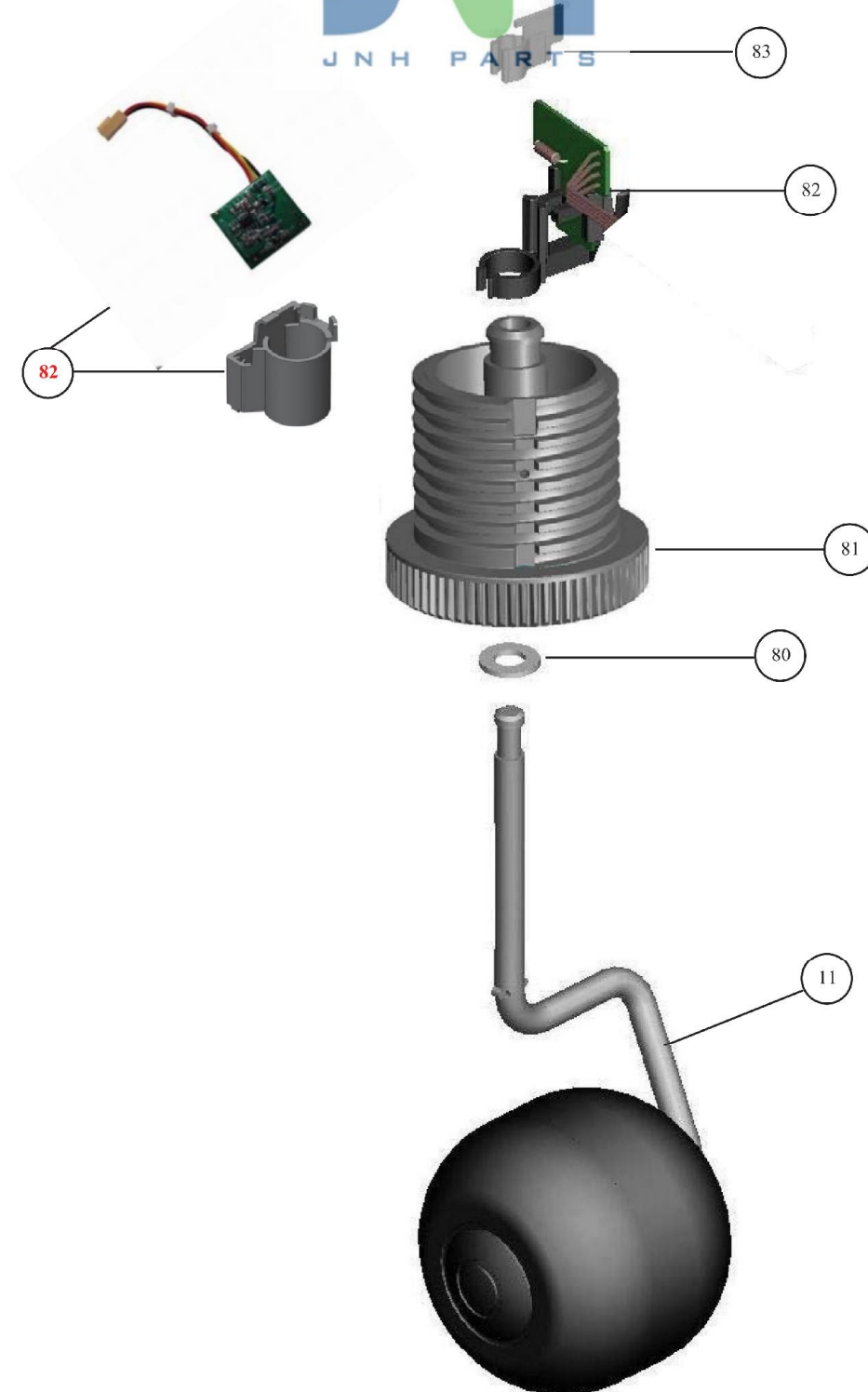


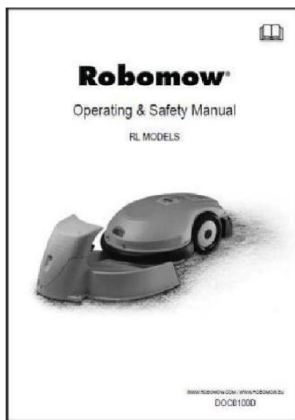
Figure 1.22 Front Wheel

# Robomow®

## 1.2.11 Add-On Items



Figure 1.23 Blades



86

RL Operating & Safety Manual (En)

110

RoboRule

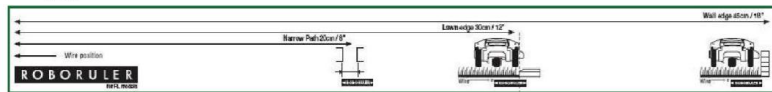
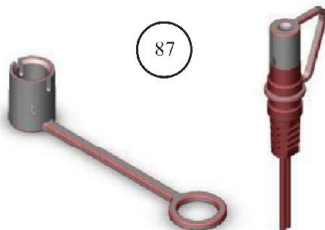


Figure 1.24  
Operating Manual  
and RoboRule



87



88

Mowing motor removal tool

www.robotgazonmaajer.com



Manual Controller  
Holder Assembly

Figure 1.25

## 1.3 Fuse location

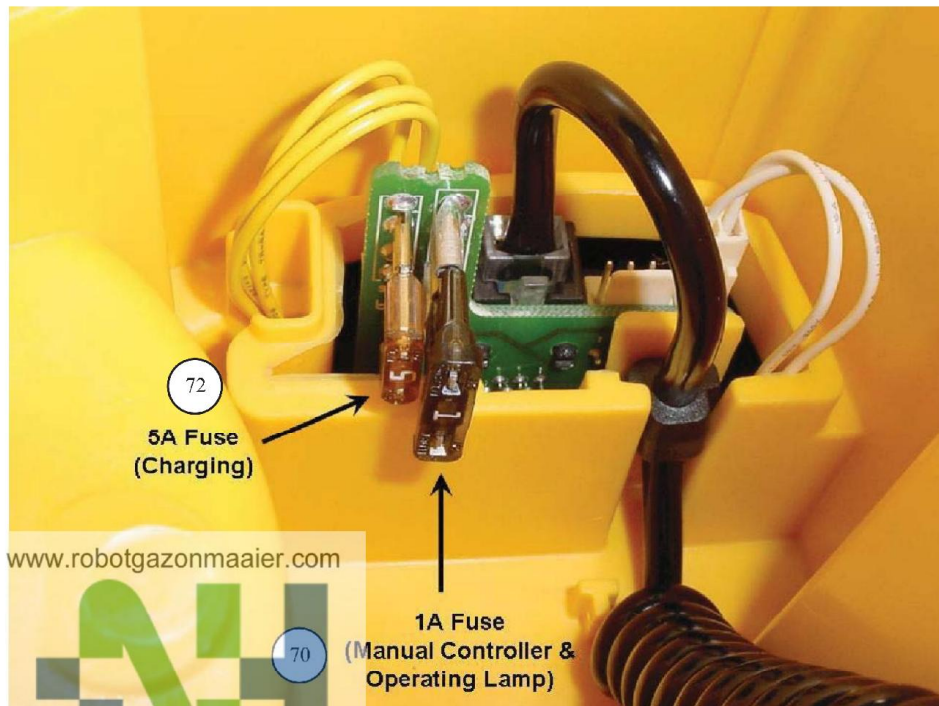


Figure 1.27 Robomow fuse location

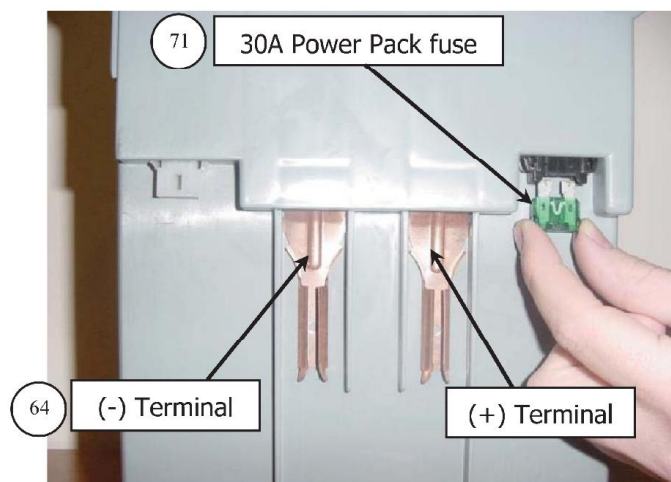


Figure 1.28 Power Pack fuse location